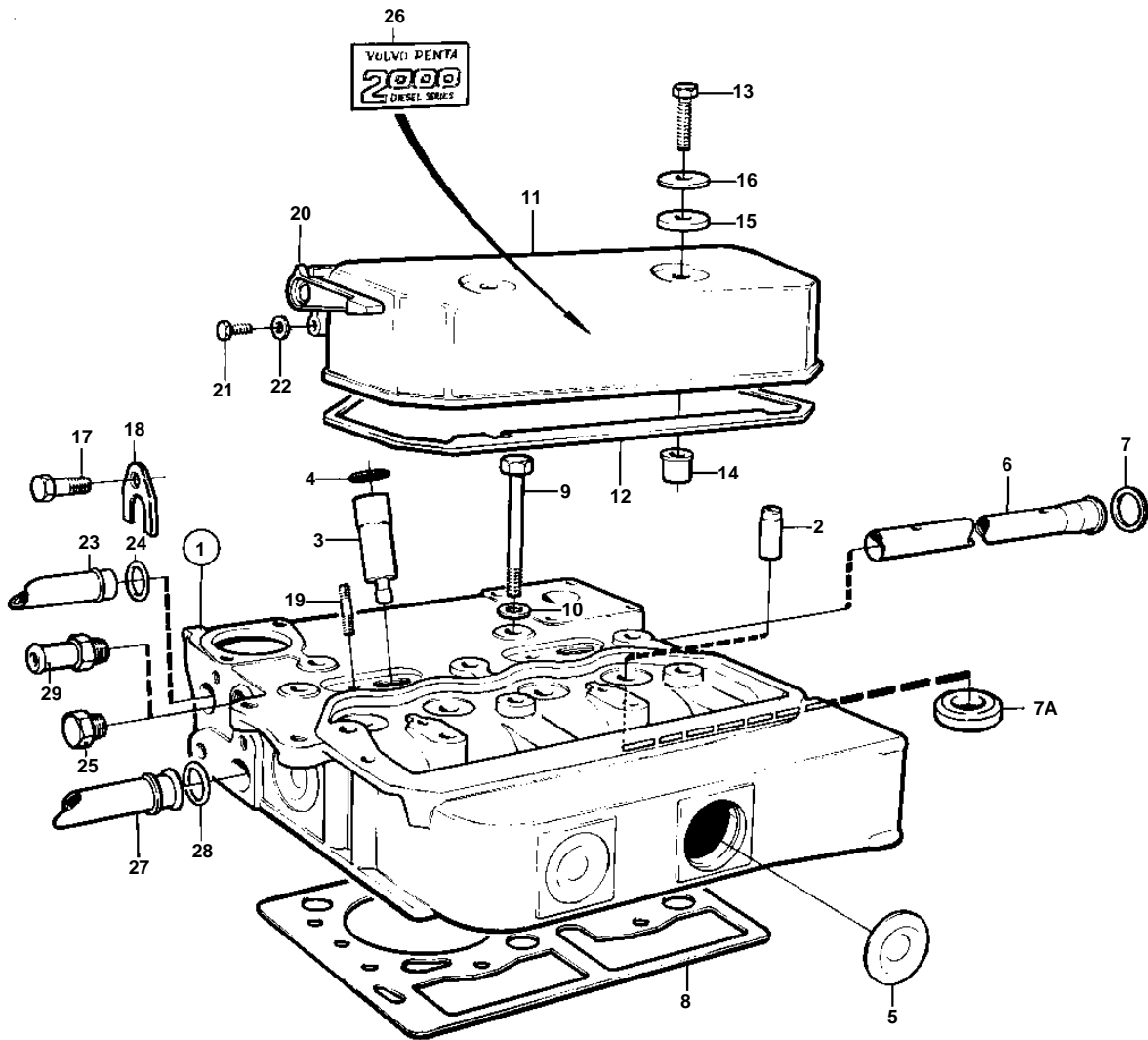


2002,2002AG,2002B,2002BG



10453

CYL. HEAD, REPL. EXHAUST VALVE SEATS FRESHWATER-COOLED ENGINE

02A

2002,2002AG,2002B,2002BG

REF	PART NO.	QTY	DESCRIPTION	NOTES
1	860079	1	Cylinder head	ALSO AVAILABLE AS AN EXCHANGE PART CONSISTING OF CYLINDER HEAD,INTAKE AND EXHAUST VALVES,VALVE SPRINGS, WASHERS AND LOCKS.
	3803161	1	Cylinder head, exch	Exchange unit
2	840281	4	· Valve guide	
3	860267	2	· Spray sleeve	
4	945221	2	· O-ring	IK
5	477024	6	· Expansion plug	(192211)
6	840420	1	· Distribution pipe	
7	418445	1	· Sealing ring	IK
7A	858461	2	· Valve seat	
8	859094	1	Gasket	
9	970888	10	Screw	
10	840210	10	Washer	
11	840329	1	Valve cover	REPL BY 861062
	861062	1	Valve cover	VALVE COVER KIT 861062 CONSISTS OF 1EA VALVE COVER 840329, 1EA LEVER 840590,1EA SCREW 940102,1EA O-RING 955976 AND 1EA WASHER 960138.THE KIT IS ALSO INTENDED FOR LATER VERSION WHERE HOLE FOR DECOMPRESSION SHAFT IS MISSING
12	859043	1	Gasket	
13	940142	2	Screw	
14	840441	2	Spacer sleeve	
15	840442	2	Rubber seal	
16	840900	2	Washer	
17	955269	2	Screw	
18	840740	2	Clamp	
19	924066	2	Stud	SEE GROUP 2C
20	840590	1	Lever	INCLUDED IN VALVE COVER KIT 861062 BUT HAS BEEN REMOVED AS STANDARD FROM SN2300059085-
21	940102	1	Screw	INCLUDED IN VALVE COVER KIT 861062 BUT HAS BEEN REMOVED AS STANDARD FROM SN2300059085-
22	960138	1	Washer	INCLUDED IN VALVE COVER KIT 861062 BUT HAS BEEN REMOVED AS STANDARD FROM SN2300059085-
23	840739	1	Coolant pipe	CYLINDER HEAD-CIRCULATION PUMP.BY PASS.
24	418411	1	Sealing ring	
25	192154	1	Plug	
26	840831	1	Decal	
27	840737	1	Coolant pipe	CIRCULATION PUMP-CYLINDER HEAD
28	418445	1	Sealing ring	
29	961654	1	Nipple, HEATHER OUTLET	